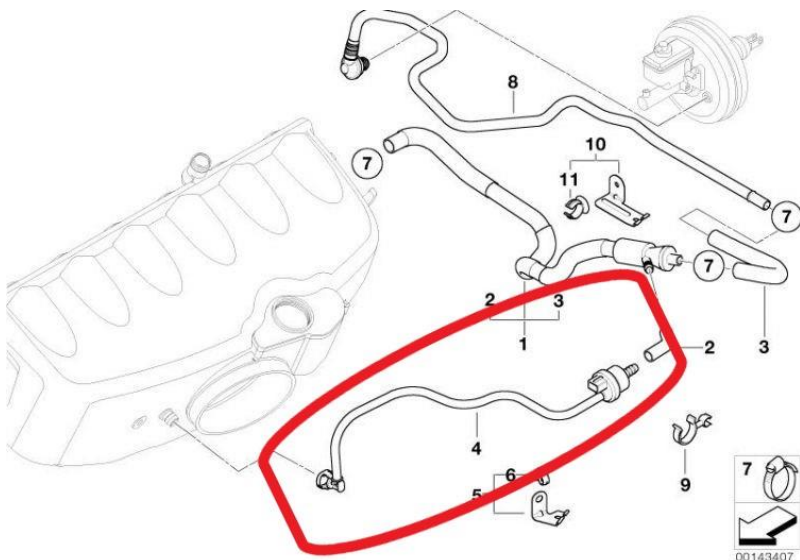
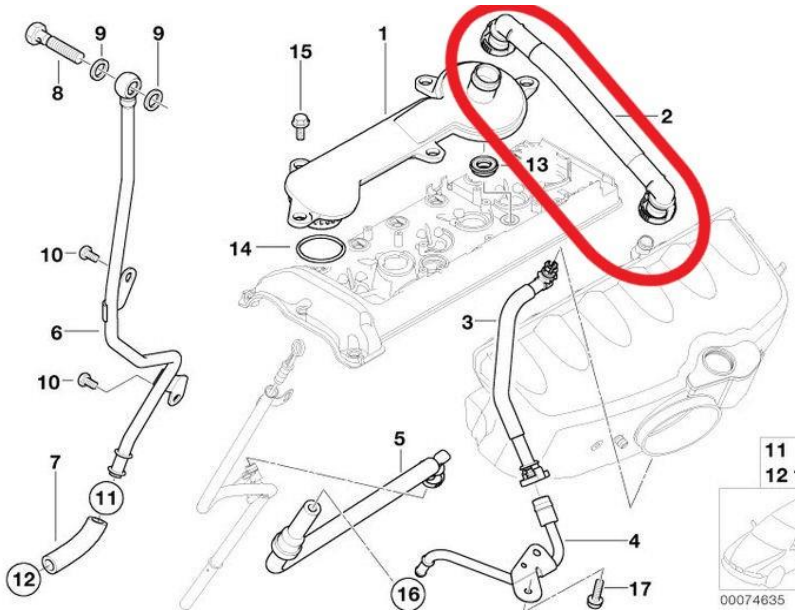
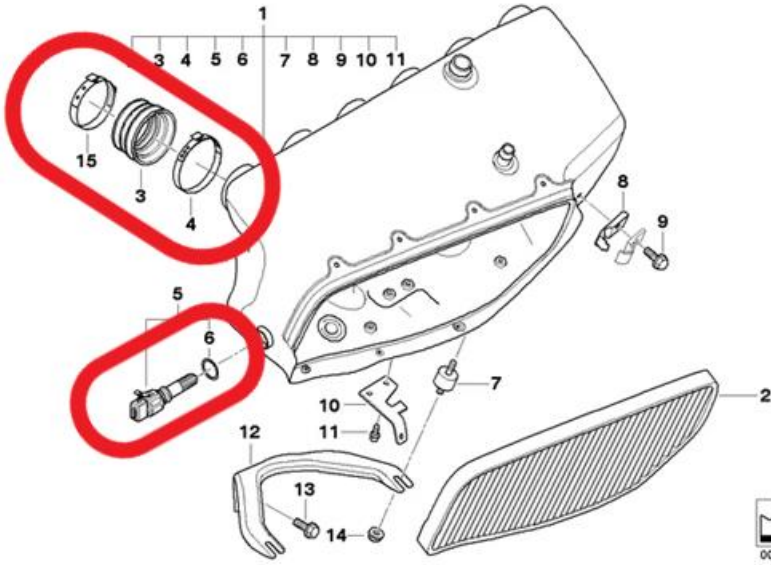




ADITONAL PARTS NEEDED TO INSTALL KARBONIUS CSL AIRBOX IN BMW E46

Apart from airfilter, there are several parts not included with Airbox and needed to install your Karbonius Airbox:

Qty.	Piece	REALOEM ref	REALOEM link
6	Hose	11617830265	https://www.realoem.com/bmw/enUS/showparts?id=BL95-EUR-09_2002_E46_BMW_M3_CSL&diagId=11_3517#11617830265
6	Hose clamp	11617830306	https://www.realoem.com/bmw/enUS/showparts?id=BL95-EUR-09_2002_E46_BMW_M3_CSL&diagId=11_3517#11617830306
1	Intake air temperature sensor	13621739510	https://www.realoem.com/bmw/enUS/showparts?id=BL95-EUR-09_2002_E46_BMW_M3_CSL&diagId=11_3517#13621739510
1	O-ring	13621743299	https://www.realoem.com/bmw/enUS/showparts?id=BL95-EUR-09_2002_E46_BMW_M3_CSL&diagId=11_3517#13621743299
6	Muffler clamp	11617831745	https://www.realoem.com/bmw/enUS/showparts?id=BL96-EUR-09_2002_E46_BMW_M3_CSL&diagId=11_3517#11617831745
1	Socket housing	12521427615	https://www.realoem.com/bmw/enUS/showparts?id=BL96-EUR-09_2002_E46_BMW_M3_CSL&diagId=11_3011#12521427615
1	Protection cap	12521732635	https://www.realoem.com/bmw/enUS/showparts?id=BN11-EUR-01_2000_E46_BMW_320Ci&diagId=11_2170#12521732635
1	Crankcase oil separator air vent hose	11157833649	https://www.realoem.com/bmw/enUS/showparts?id=BL96-EUR-09_2002_E46_BMW_M3_CSL&diagId=11_2999#11157833649
1	Air shut-off valve	11617833647	https://www.realoem.com/bmw/enUS/showparts?id=BL96-EUR-09_2002_E46_BMW_M3_CSL&diagId=11_3019#11617833647



ADITONAL PARTS RECOMMENDED TO INSTALL KARBONIUS CSL AIRBOX IN BMW E46

These parts are not indispensable, but recommended for a correct installation of Karbonius CSL airbox:

Qty.	Piece	REALOEM ref	REALOEM link
1	Dipstick	11437834784	https://a.realoem.com/bmw/enUS/showparts?id=BL96-EUR-09_2002_E46_BMW_M3_CSL&diagId=11_2990#11437834784
2	O-ring	11431717666	https://a.realoem.com/bmw/enUS/showparts?id=BL96-EUR-09_2002_E46_BMW_M3_CSL&diagId=11_2990#11431717666
1	Washer	11437838127	https://a.realoem.com/bmw/enUS/showparts?id=BL96-EUR-09_2002_E46_BMW_M3_CSL&diagId=11_2990#11437838127
1	O-ring	11431707164	https://a.realoem.com/bmw/enUS/showparts?id=BL96-EUR-09_2002_E46_BMW_M3_CSL&diagId=11_2990#11431707164

Dipstick is not similar in BMW M3 E46 and BMW M3 E46 CSL. They do not only have different shapes, but they are also located different.

You can move and twist carefully genuine dipstick (it works), however, for a perfect installation we recommend changing it.

